



Highest Ideas Products



HIP  
อันดับ 1 เรื่องสินค้าและบริการ



HIP  
รับประกันภัยสูงสุด 5 ล้านบาท

# CCTV CAMERA

## CMFQ976FS BOX Camera



จับตามองความเคลื่อนไหว



### Features:

- 1/3" SONY Super HAD II CCD
- DSP: NVP2040
- Resolution: 600TVL
- Min.illumination: Color: 0.02Lux/F1.2; B/W: 0.002Lux/F1.2
- Electronic shutter adjustable, D-WDR,BLC,HLC, Anti-flicker, Mirror, Motion detection, Parking line, Lens shading control, Privacy zones
- OSD menu,Back focus adjustable, Lightning proof, DC12V



600TVL

550TVL



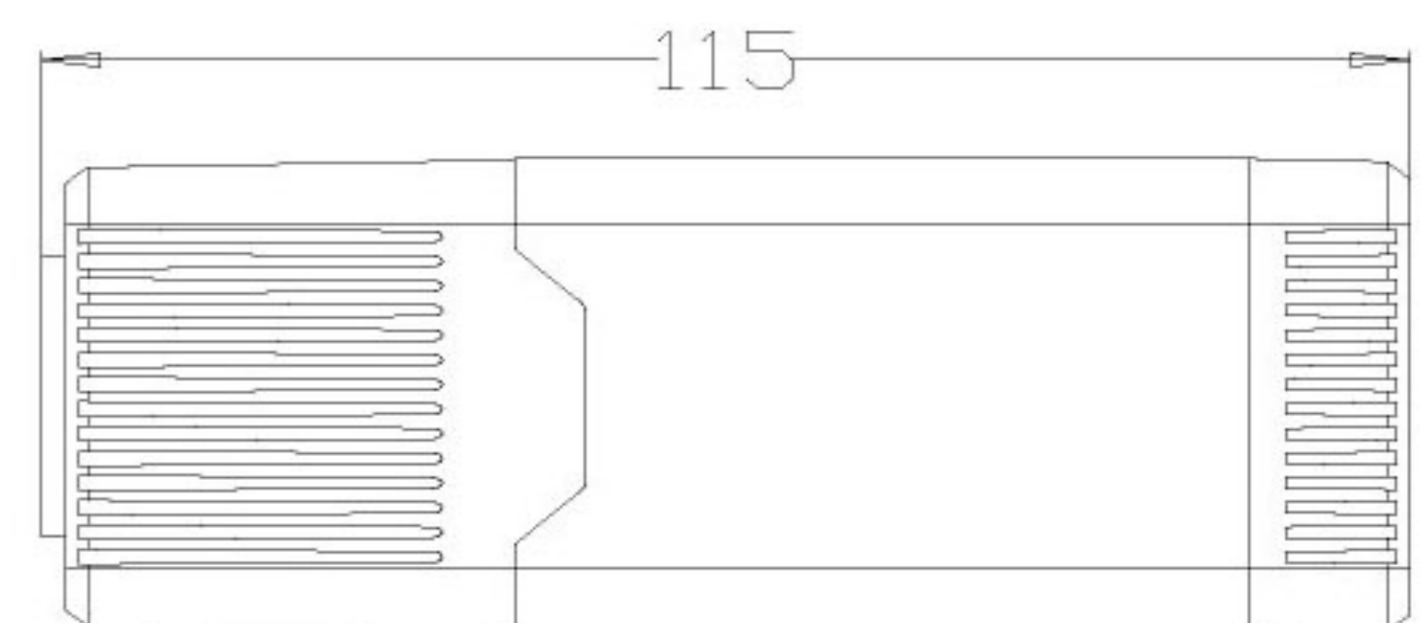
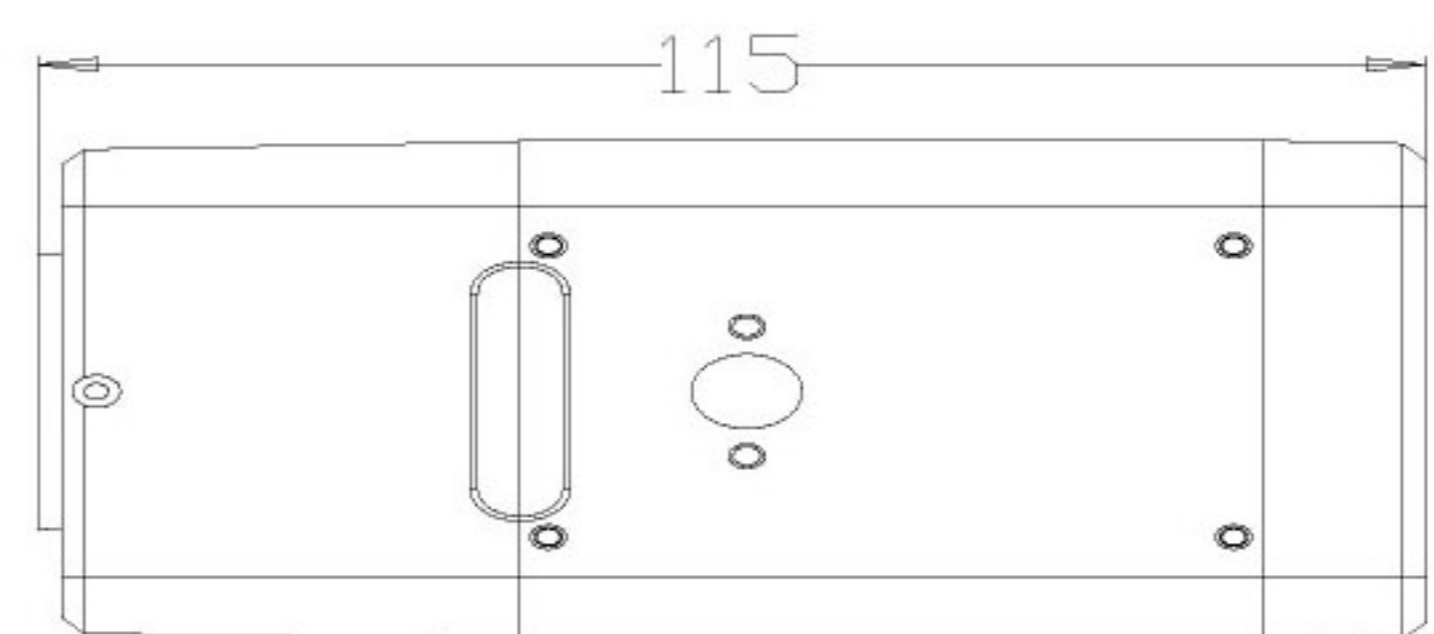
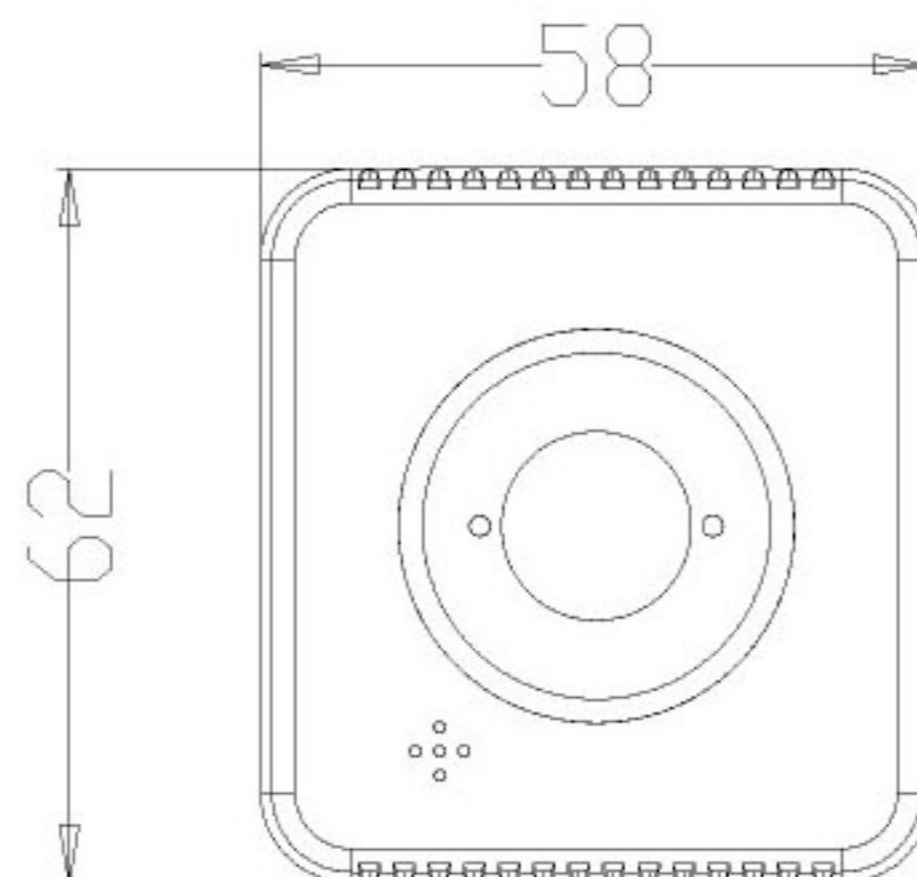
CMFB858DS (0.05LUX)

Other Camera (0.05Lux)



CMFB858DS (ON)

878T HLC (OFF)



CCTV Security Cameras and Digital Video Security Systems  
Highest Ideas Products



ISO9001:2008



## Specifications

# CMFQ976FS BOX Camera



Model	CMFQ976FS
Pick-up device	1/3" SONY Super HAD II CCD
Effective pixels	NTSC:768*494,PAL:752*582
Resolution	Color 600TVL
Min. illumination	Color: 0.02Lux/F1.2; B/W: 0.002Lux/F1.2
Sync system	Internal
Scan system	2:1 interlace
S/N ratio	more than 50dB
Lens	C/CS lens
Electronic shutter	Auto/Anti-flicker/Manual
Digital WDR	Off/On(0-63 level adjustable)
BLC	HLC/BLC/OFF
White balance	ATW1/ATW2/MANUAL/FIXED
2DNR	OFF/ON
Day&Night	Auto/B/W/Color/EXT
Motion detection	Off/On(4 areas)
Privacy zones	Off/On(8 areas)
Mirror function	Off/On(Horizontal mirror)
Image adjustment	Contrast,Sharpness,Saturation
AGC	High/Mid/Low/Off
Gamma	0.45/Custom(0.05-1.0)
RS-485 control	Protocal:Pelco-D, Pelco-P, Nextchip Baud rate:2400-57600
Display mode	CRT/LCD/USER
OSD menu	Simplified Chinese/English
Video output	1.0Vp-p Composite Video Output, 75 Ohm
Power supply	DC12V± 10%
Power consumption(Max)	200mA/DC12V
Operation temp	-20°C ~ 50°C

CCTV Security Cameras and Digital Video Security Systems  
Highest Ideas Products

