

BEST

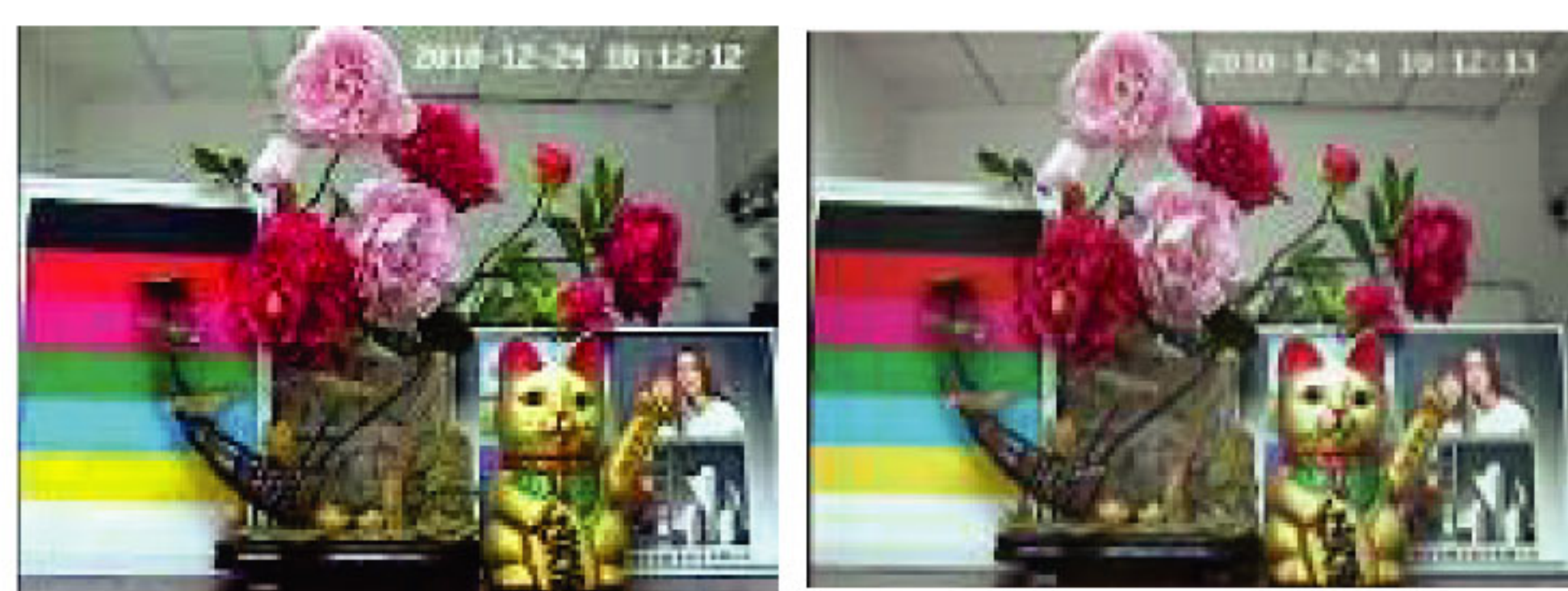


CCTV CAMERA

CMFQ667FS
Box Camera



จับตาดูทุกความเคลื่อนไหว

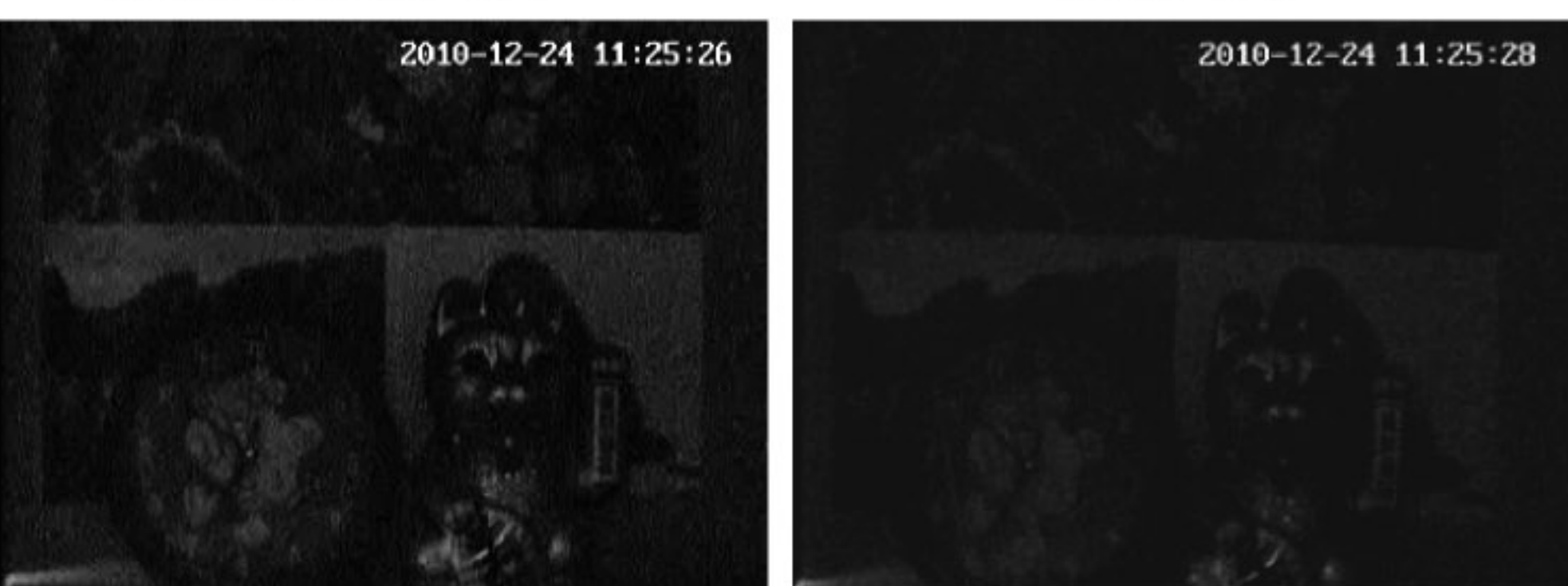


Effio-E 700TVL

600TVL

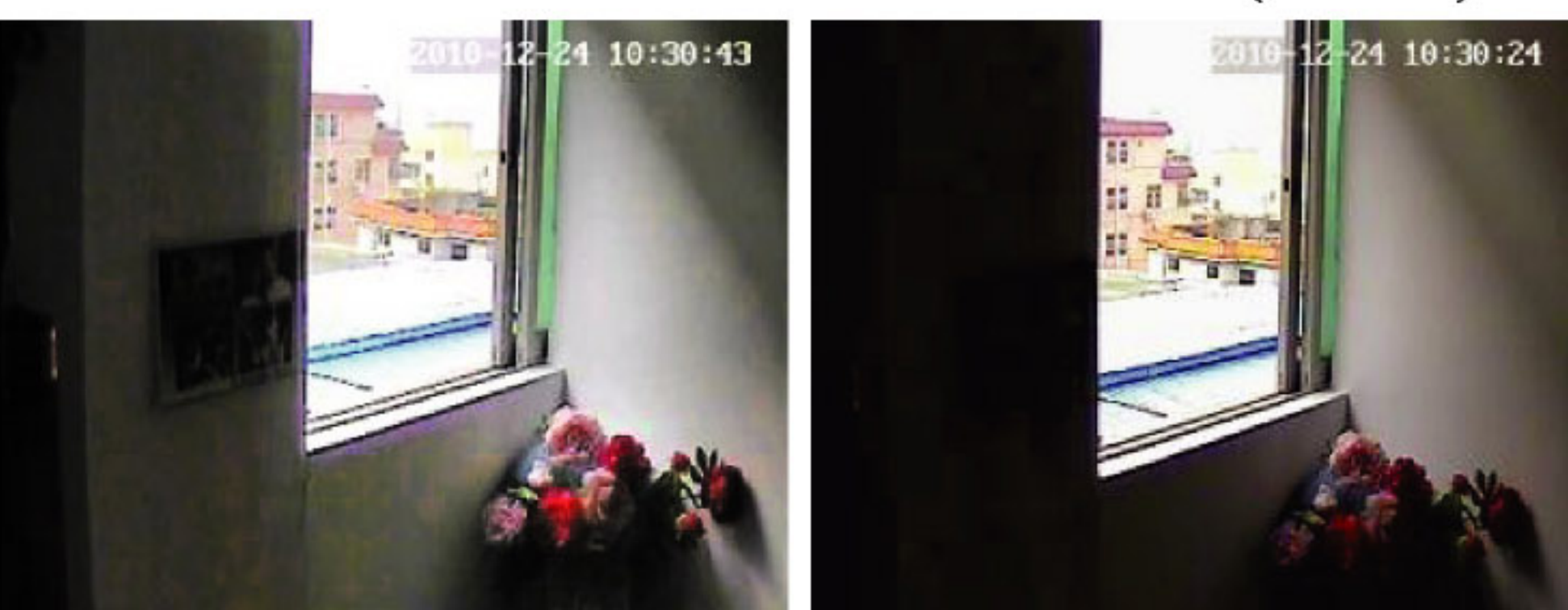
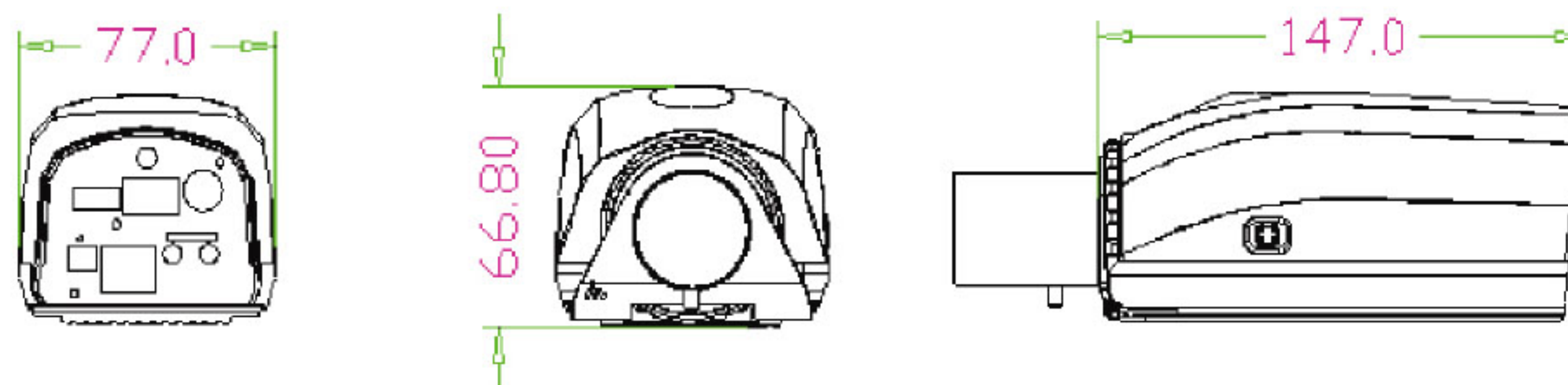
Features:

- 1/3" SONY EX-view HAD II CCD (960H)
- 700 TV lines
- can order fix len cs or auto airis lan
- Color 0.06Lux/F1.2, B/W:0.006lux/F1.2
- the day night model



Effio-E (0.05lux)

Other Camera (0.05lux)



Effio-E ATR(ON)

Effio-E ATR(off)



Effio-E HLC(ON)

Effio-E HLC(off)



CCTV Security Cameras and Digital Video Security Systems
Highest Ideas Products



ISO9001:2008



BEST

CMFQ667FS Box Camera



| | |
|-----------------------|--|
| Menu control | OSD menu |
| Image Sensor | 1/3" SONY EX-view HAD II CCD (960H) |
| H.Resolution | 700 TV lines |
| Lens | No |
| Type lens | can order fix len cs or auto airis lan |
| Effective Pixel | PAL:976(H)*582(V),NTSC:976(H)*494(V) |
| Min. Illumination | Color 0.06Lux/F1.2, B/W:0.006lux/F1.2 |
| IR Distance | the day night model |
| Dust&Water Resistance | No |
| Video Output | 1.0Vp-p Composite Output (77h / BNC) |
| S/N Ratio | >=50dB |
| LED Wave length | No |
| Working Temperature | -20 °C+50 °C |
| Working Humidity | <=90% |
| Power Supply | DC12V(+/-10%), Max.500mA |
| Power Consumption | Max.6W |
| Packing Dimension | 147*77*66.8mm |
| Gross Weight | 0.38kgs |
| Accessories | No |

CCTV Security Cameras and Digital Video Security Systems

Highest Ideas Products



ISO9001:2008

