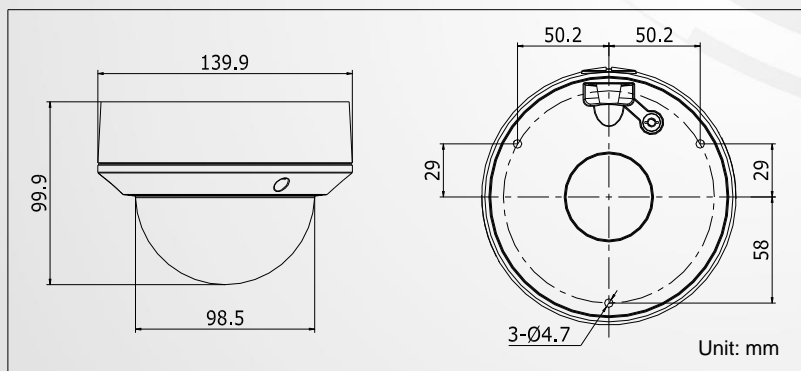


DS-2CD2722FWD-I(Z)(S) 2MP WDR Vari-focal Dome Network Camera



- 1/2.8" Progressive Scan CMOS
- Up to 2 megapixel resolution
- 120dB WDR
- 3D DNR
- Motorized lens 2.8-12mm (-Z)
- Up to 30 meters IR range
- Built-in Micro SD/SDHC/SDXC card slot, up to 128 GB
- Audio/alarm I/O (-S)
- Mobile Monitoring via EZVIZ P2P or iVMS-4500
- 12V DC±25% & PoE(802.3af Class 3)
- Support H.264+
- IP67
- IK10

Accessories



DS-1227ZJ
In-ceiling mount



DS-1273ZJ-135
Wall mount



DS-1273ZJ-135B
Wall mount with Junction box



DS-1280ZJ-DM21
Junction box



DS-2CD2722WD-I(Z)(S) 2MP WDR Vari-focal Dome Network Camera



Specification

| Camera | |
|--|---|
| Image Sensor | 1/2.8" Progressive Scan CMOS |
| Min. Illumination | 0.01Lux @(F1.2,AGC ON), 0.014 Lux @(F1.4,AGC ON), 0 Lux with IR |
| Shutter Speed | 1/3 s ~ 1/10,000 s |
| Slow Shutter | Support |
| Lens | 2.8 - 12 mm @ F1.4, motorized lens (-Z), angle of view: 106°~35° |
| Angle Adjustment | Pan:0° - 355°, Tilt: 0° - 75°, Rotation: 0° - 355° |
| Lens Mount | Φ14 |
| Day & Night | IR cut filter with auto switch |
| WDR | 120dB |
| Compression | |
| Video Compression | H.264/MJPEG/H.264+ |
| H.264 Type | Main Profile |
| Video Bit Rate | 32 Kbps – 16 Mbps |
| Audio (-S) | G.711/G.722.1/G.726/MP2L2, 64Kbps(G.711) / 16Kbps(G.722.1) / 16Kbps(G.726) / 32-128Kbps(MP2L2) |
| Image | |
| Max. Resolution | 1920 × 1080 |
| Max Frame Rate | 50Hz: Main stream: 25fps(1920 × 1080, 1280 × 960, 1280 × 720); Sub stream: 25fps(352×288), 25fps(640×360) 60Hz: Main stream: 30fps (1920 × 1080, 1280 × 960, 1280 × 720); Sub stream: 30fps(352×240), 30fps(640×360) |
| Enhancement | BLC/3D DNR/ROI |
| Image Setting | Rotate Mode, Saturation, Brightness, Contrast, Sharpness adjustable by client software or web browser |
| Day/Night Switch | Auto/Schedule/Triggered by Alarm In |
| Network | |
| Network Storage | NAS (Support NFS,SMB/CIFS); ANR, Built-in Micro SD/SDHC/SDXC card slot, up to 128 GB |
| Detection | Intrusion detection, Line crossing detection, Motion detection, Dynamic analysis |
| Alarm Trigger | Tampering alarm, Network disconnect, IP address conflict, Storage exception |
| Protocols | TCP/IP, UDP, ICMP, HTTP, HTTPS, FTP, DHCP, DNS, DDNS, RTP, RTSP, RTCP, PPPoE, NTP, UPnP, SMTP, SNMP, IGMP, 802.1X, QoS, IPv6, Bonjour |
| General Function | One-key reset, Anti-flicker, heartbeat, mirror, password protection, privacy mask, watermark, IP address filtering, anonymous access |
| Standard | ONVIF (PROFILE S, PROFILE G), PSIA, CGI, ISAPI |
| General | |
| Interface | 1 RJ45 10M/100M Ethernet interface |
| Operating Conditions | -30 °C – 60 °C (-22 °F – 140 °F), Humidity 95% or less (non-condensing) |
| Power Supply | 12V DC±25%, PoE (802.3af, Class 3), Max. 5.5 W |
| Material | Front Cover & Base: Metal |
| Ingress Protection | IP67 |
| Impact Protection | IEC60068-275Eh, 20J; EN50102, up to IK10 |
| IR Range | 20~30 meters |
| Dimensions | Φ 140 × 99.9 mm (Φ 5.51" × 3.94") |
| Weight | 1000g (2.20lbs) |
| Order Model | |
| DS-2CD2722FWD-I, DS-2CD2722FWD-IS, DS-2CD2722FWD-IZ, DS-2CD2722FWD-IZS | |